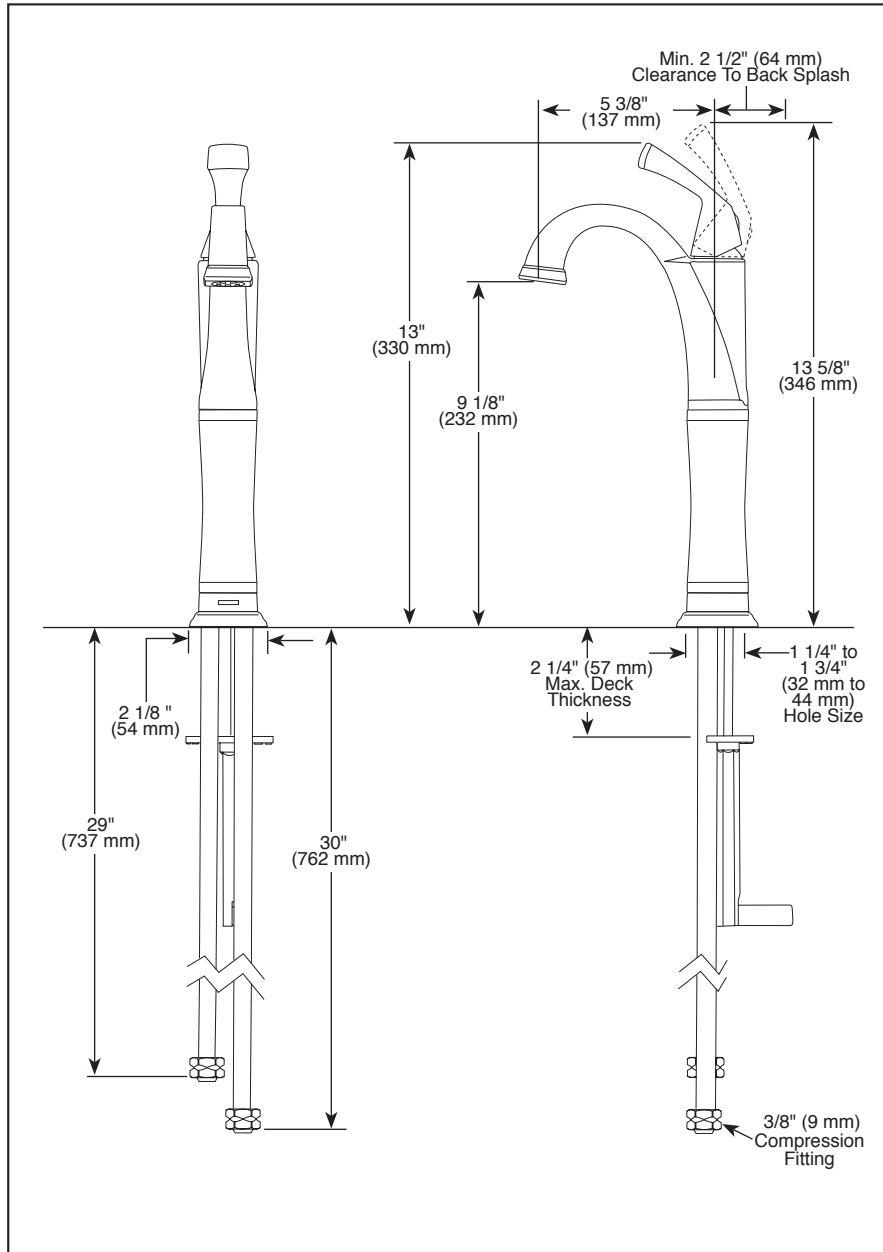


751T-DST



Submitted Model No.: _____

Specific Features: _____



LAVATORY FAUCETS

- Dryden™ Collection
- Single Handle Deck Mount

FEATURES:

- DIAMOND Seal® Technology
- Touch2O.xt™ Technology

STANDARD SPECIFICATIONS:

- Maximum 1.20 gpm @ 60 psi, 4.54 L/min @ 414 kPa
- One hole mount
- Diamond coated ceramic cartridge
- 3/8" O.D. straight, staggered PEX supply lines
- LED indicator light signals on-off, water temperature and when batteries run low
- Uses 6 AA (included) or 6 C (optional) batteries
- Optional (EP73954) 120V AC adapter available (3 prong grounded outlet required)
- Models include finished 5" riser

WARRANTY

- Lifetime limited warranty on parts (other than electronic parts and batteries) and finishes: or, for commercial users, for 5 years from date of purchase.
- 5 year limited warranty on electronic parts (other than batteries); or, for commercial users, for 1 year from the date of purchase. No warranty is provided on batteries.



COMPLIES WITH:

- ASME A112.18.1 / CSA B125.1
- Indicates compliance to ICC/ANSI A117.1
- EPA WaterSense®
- Verified compliant with .25% weighted average Pb content regulations.

Delta reserves the right (1) to make changes in specifications and materials, and (2) to change or discontinue models, both without notice or obligation. Dimensions are for reference only. See current full-line price book or www.deltafaucet.com for finish options and product availability.

DSP-L-751T-DST Rev. D



55 E. 111th Street, Indianapolis, Indiana 46280
 350 South Edgeware Road, St. Thomas, ON N5P 4L1
 © 2016 Masco Corporation of Indiana